



FS-101 Installation Instructions

Markar Architectural Products, Inc. a subsidiary of Adams Rite Manufacturing Co.
260 Santa Fe Street, Pomona, CA 91767

Phone: 800-872-3267 Fax: 800-232-6752

www.markar.com

Note: Do not install Snap-On cover until installation is 100% complete, and all aspects of the assembly are correctly fastened and properly fitted. The cover is impossible to remove without damage, and replacement may be necessary.

The Screw Pack contains self-drilling machine screws. These self-drilling Tek screws are also recommended for grout-filled frames.

- Perform each step of these instructions.

(1) Place hinge on frame as shown in Figure 1 on the other side of these instructions.

- Allow 1/8" between top of hinge and underside of header.

(2) Mark the position of the top and bottom holes with a center punch, then drill and fasten. The use of the Markar MT-806 center punch can help center the hole so that the fasteners will enter straight.

(3) After the top and bottom screws are installed, drill and fasten the balance of the holes.

Note that the stress on the hinge is much greater at the top. Markar recommends that all holes at the top of the hinge be drilled and fasteners be installed. At the bottom, only three of the last five holes require fasteners unless the door weighs over 200lbs.

(4) Fold the door leaf back over the frame leaf and place the door in the door frame.

- Place shims under the door to provide 1/8" clearance between the header and top of door.
- Add shims at both the hinge and latch side of the door so that 1/8" clearance will be maintained on the lock side of the door.

(5) With the door held firmly in place, return the door leaf to the face of the door and repeat the drilling procedure described in steps (2) and (3).

- Molly Jacknuts and aluminum sleeve bolts (Markar part numbers MP-20 and MP-22) are available from your hardware supplier as an optional means of attaching the door leaf.

(6) When installation is complete (see **Note** at the start of the instructions), hold the snap-on cover squarely on the hinge leaf.

(7) Starting at the top and working downward until the entire length of the cover is firmly engaged, tap the cover firmly using a softwood block to protect the finish from hammer blows.

(8) With the cover firmly in place, secure it using the #8 sheet metal screw. The screw will be either at the top or bottom of the cover, depending on the hand of the door. (See Figure 2.)

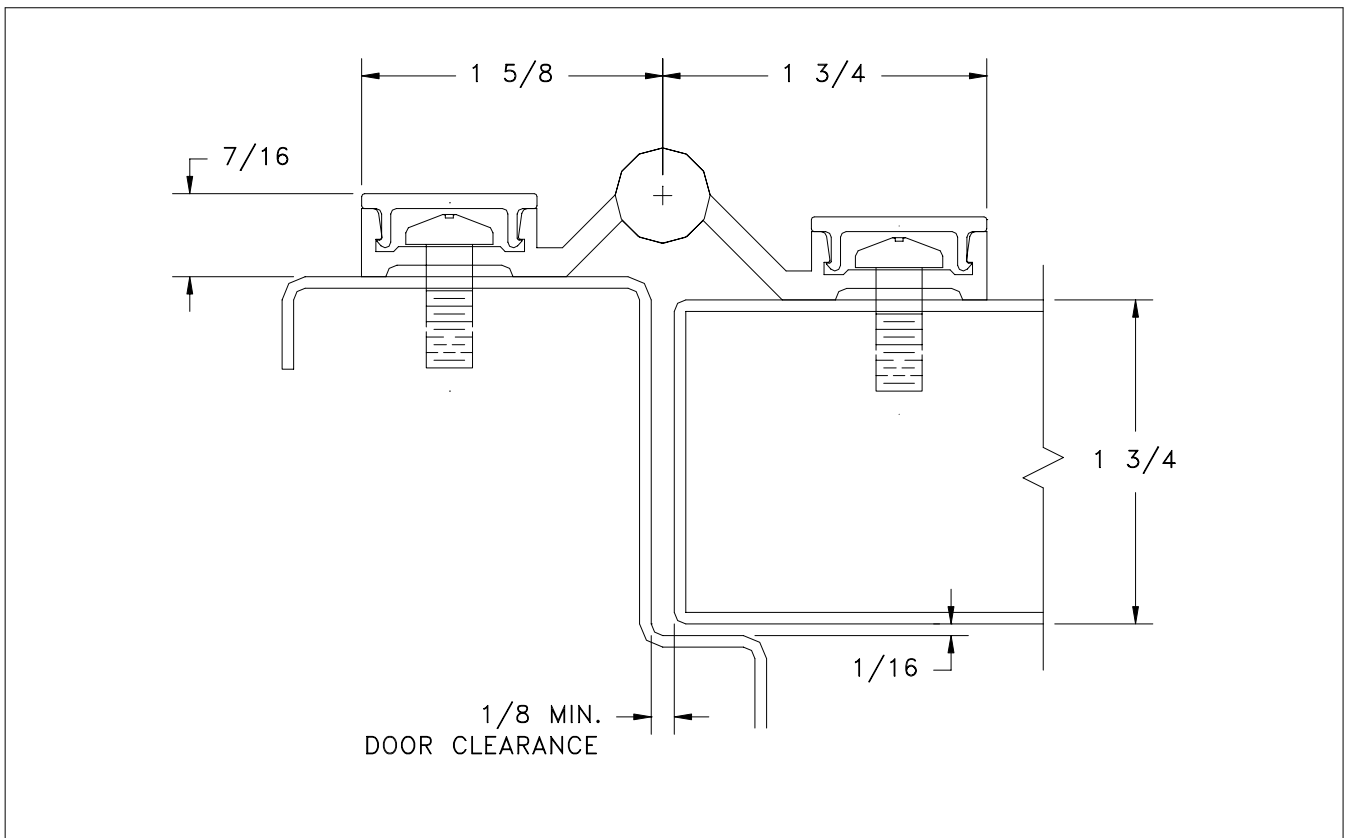


Figure 1: Hinge Placement & Clearance Template

STANDARD HARDWARE

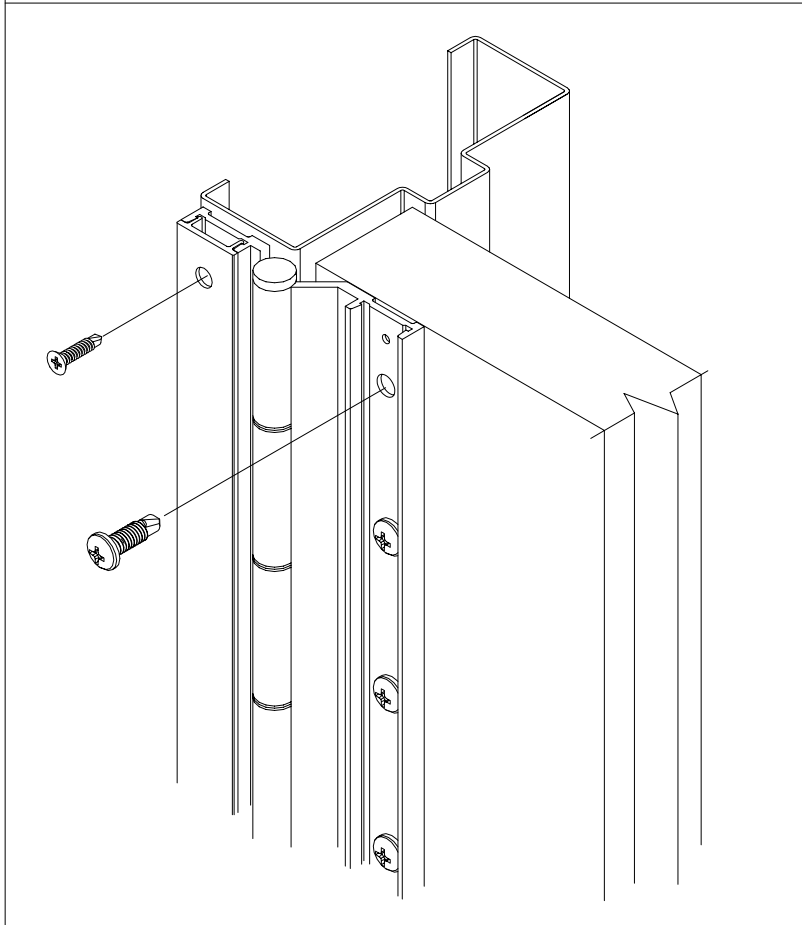
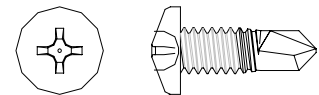


Figure 2: Installation (Exploded View)



MP-13 (Alum.) MP-13 (Bronze)
 1/4 - 20 x 3/4" PHILLIPS PAN
 HEAD SELF-DRILLING TEK SCREW

7': 32 8': 36 10': 40



MP-8 (Alum.) MP-9 (Bronze)
 #8 3/4" PHILLIPS FLAT HEAD
 SHEET METAL SCREW

7': 32 8': 36 10': 40

Universal Screw Pack