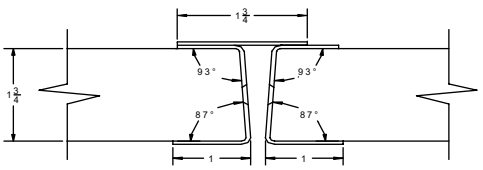
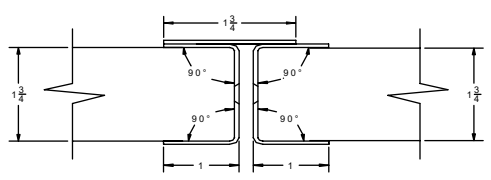


Markar Architectural Products, Inc. a subsidiary of Adams Rite Manufacturing Co.
 260 Santa Fe Street, Pomona, CA 91767 • 800-872-3267 • 909-632-2300 • 800-232-6752 fax • www.markar.com

EDGE GUARDS ARE FOR 1 3/4" DOORS
 EDGE GUARDS AND ASTRAGALS ARE PUNCHED
 AND COUNTERSUNK TO RECEIVE #8 X 3/4" F.H. PHILLIPS
 SCREWS (PAINTED TO MATCH EACH SET)

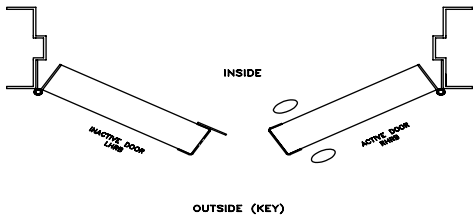
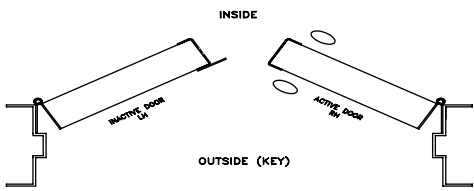


**EDGE GUARD AND ASTRAGALS
 FOR BEVEL EDGE DOORS
 SET NO'S 87EE – 87AE – 87AO
 93EE – 93AE – 93AO
 95EA – 95AO**

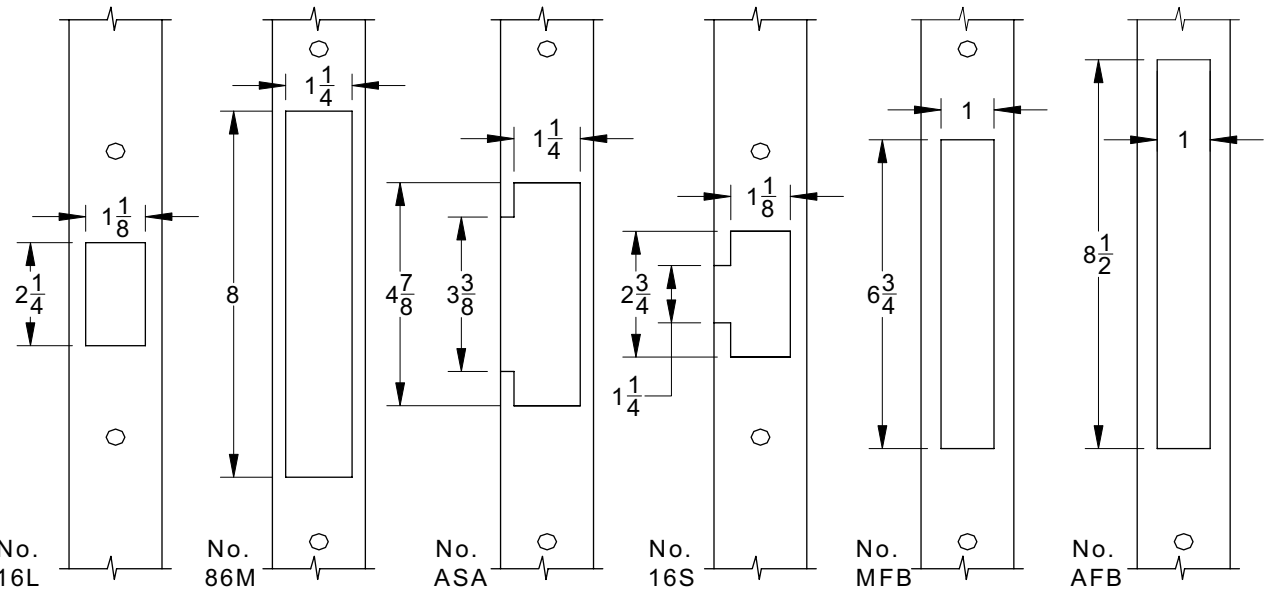


**EDGE GUARD AND ASTRAGALS
 FOR SQUARE EDGE DOORS
 SET NO'S 90EE – 90AE – 90AO**

HANDING INFORMATION DETERMINE HAND AND SWING
 FOR DOUBLE DOORS



**HARDWARE CUTOUT PATTERNS FOR EDGE GUARDS AND ASTRAGALS
 WOOD AND PLASTIC COMPOSITE FIRE DOORS**
 HARDWARE CUTOUTS ARE 1/32" LARGER THAN SHOWN TO ALLOW FOR PROPER FIT



No. 16L 161 LATCH BOLT CUT OUT **No. 86M 86 MORTISE LOCK CUT OUT** **No. ASA ASA STRIKE CUT OUT** **No. 16S 161 STRIKE CUT OUT** **No. MFB MANUAL FLUSH BOLT CUT OUT (2-Reg.)** **No. AFB AUTOMATIC FLUSH BOLT CUT OUT (2-Reg.)**