



Fire Rated Edge Guards and Astragals

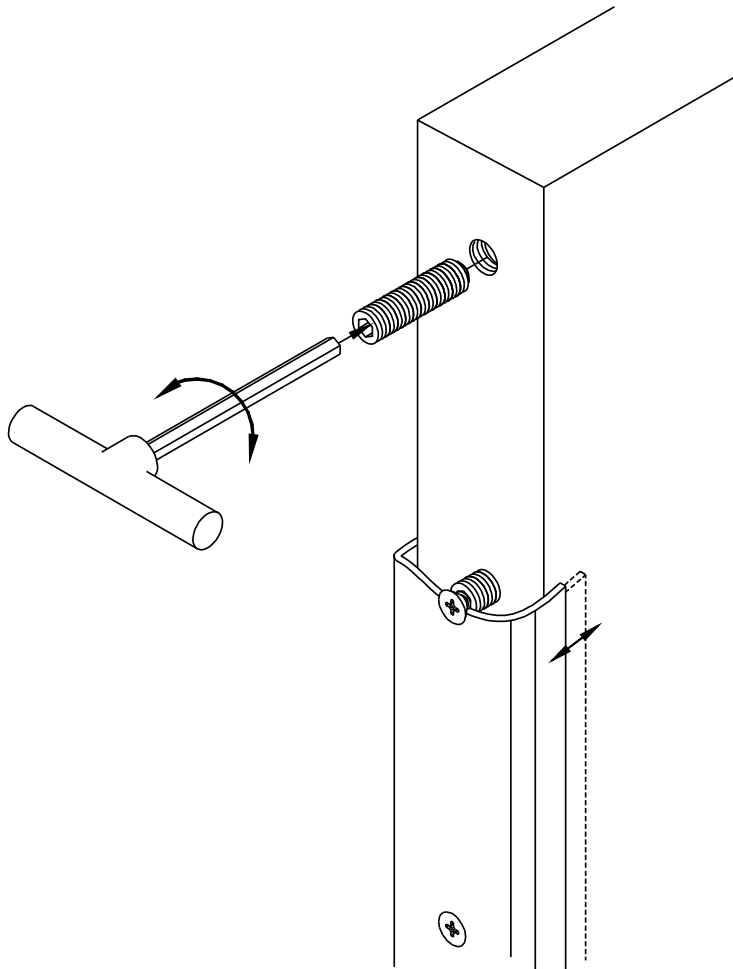
with Adjusta-Screw Fasteners

www.markar.com

May not apply to all wood doors in accordance with UBC Code Standard 7-2

Please consult factory for specific wood door applications.

U.S. Pat. Number 5,943,824



Markar's patented Adjusta-Screw assemblies are approved for use on labeled doors.

Because the edge guards can be adjusted for perfect clearance (fit), this provides a solution for many field problems experienced by wood door suppliers.

By backing the Adjusta-Screw in or out with an Allen wrench, the door edge can be adjusted up to 3/8" within the edge guard channel.

Underwriters Laboratories certification file number R15384 (N) covers Markar's edge guard models EG-208 and EG-T-208.



ASSA ABLOY

260 Santa Fe Street, Pomona, California 91767
800-872-3267 ■ fax 800-232-6752



LISTED
Miscellaneous
Firedoor Accessory
8N60
Markar Products, Inc.
Pomona, CA



ALSO CLASSIFIED IN
ACCORDANCE WITH
UBC CODE STANDARD 7-2,
FIRE TEST OF DOOR
ASSEMBLIES FOR
POSITIVE PRESSURE

ASSA ABLOY, the global leader
in door opening solutions