

TECH MEMO

"CTP" Current Transfer Preparation

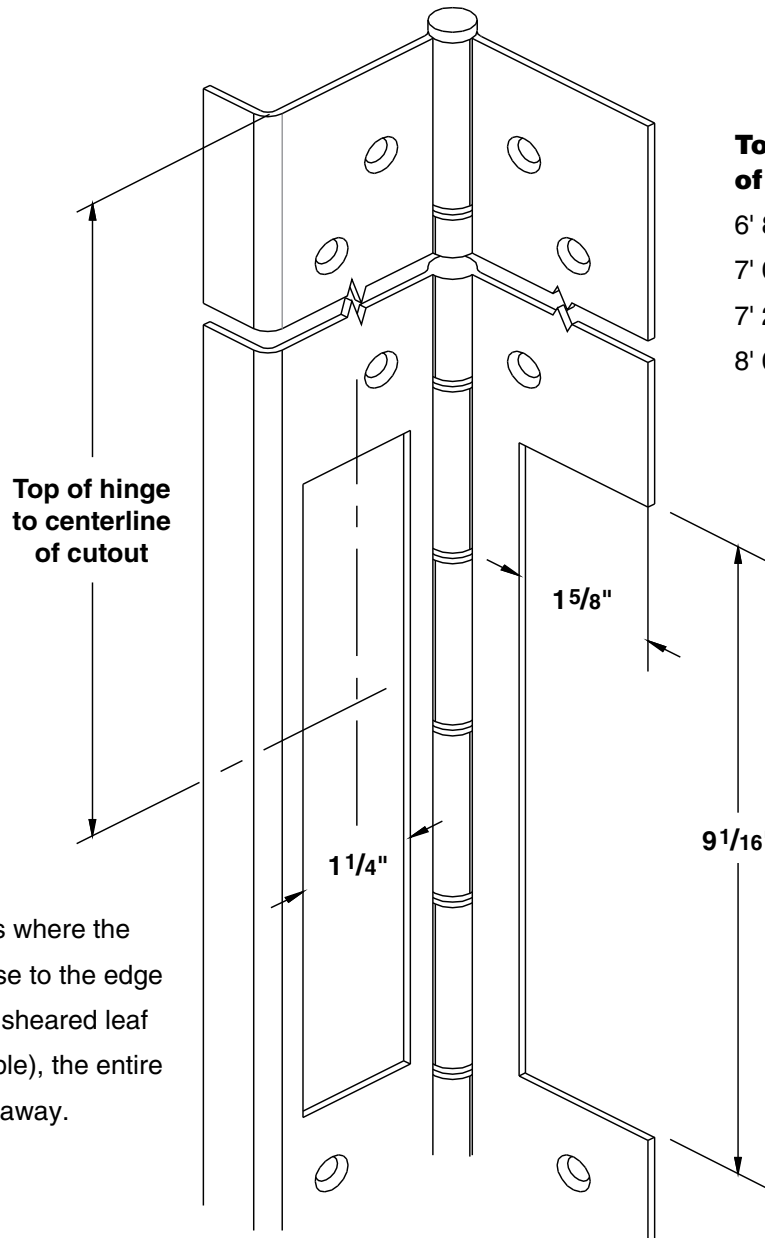
Specify by suffixing "-CTP" to the hinge model number.

www.markar.com

IMPORTANT: Please indicate desired handing and location when ordering custom location other than shown.

Von Duprin cutout

Cutout in frame or door leaf to accommodate Von Duprin's new-style power transfer unit.



Top of Hinge to Centerline of Cutout Distance:

6' 8" hinge = 39 3/8"

7' 0" hinge = 41 9/16"

7' 2" hinge = 42 1/2"

8' 0" hinge = 47 1/2"

Note: On hinges where the cutout is too close to the edge of the leaf (on a sheared leaf hinge, for example), the entire edge will be cut away.

This memo replaces "CTPN" and "CTPO" Prep Tech memos.



ASSA ABLOY

260 Santa Fe Street, Pomona, California 91767
800-872-3267 ■ fax 800-232-6752

ASSA ABLOY, the global leader
in door opening solutions