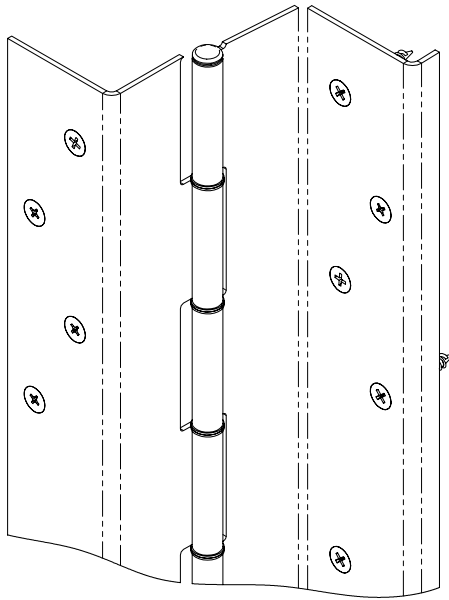


TECH MEMO

HG-329 Swing Clear Continuous Hinge

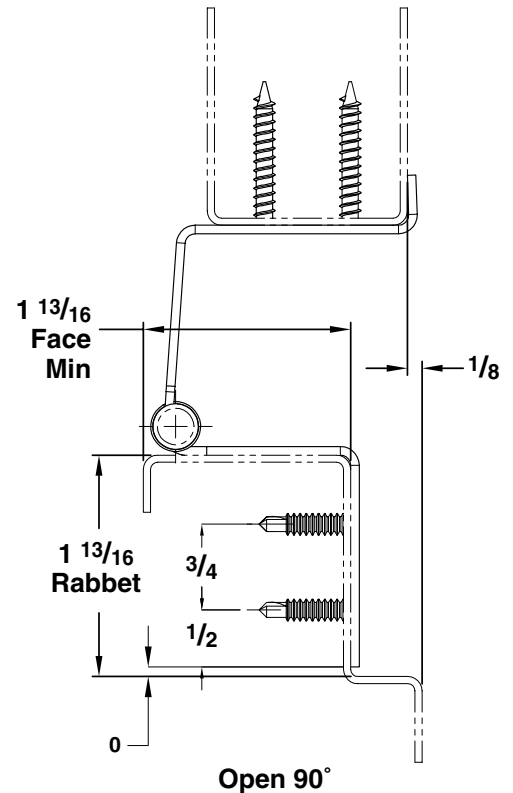
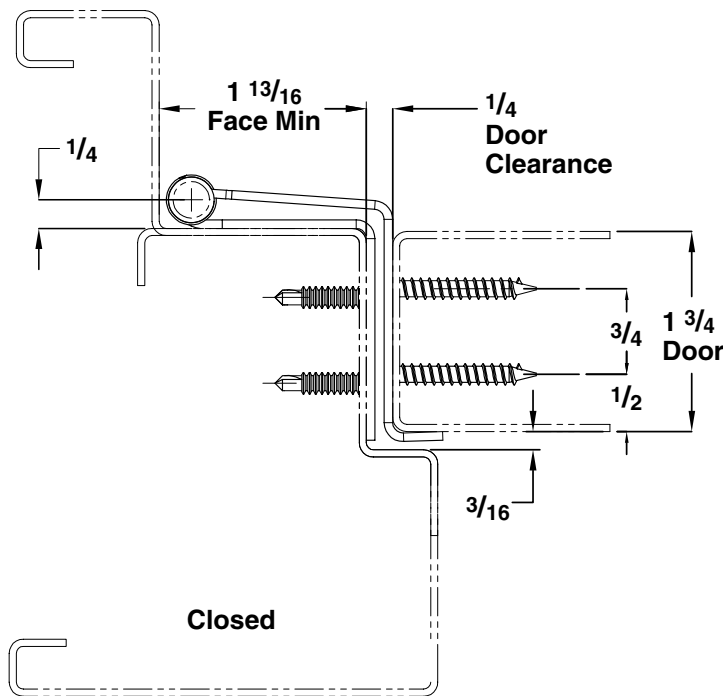
www.markar.com



The HG-329 Continuous Swing-Clear Hinge has been changed to combine the standard and flush models. The new HG-329 positions the door face to 90 degrees below the stop. This is critical when trying to achieve the maximum clear opening width.

The new HG-329 requires at least a 1-13/16" frame face for proper fitting.

The HG-329 is recommended for square edge doors only.



All dimensions are finished dimensions.



260 Santa Fe Street, Pomona, California 91767
800-872-3267 ■ fax 800-232-6752

ASSA ABLOY, the global leader
in door opening solutions