



ASSA ABLOY

Markar Architectural Products, Inc. a subsidiary of Adams Rite Manufacturing Co.
260 Santa Fe Street, Pomona, CA 91767 • 800-872-3267 • 909-632-2300 • 800-232-6752 fax • www.markar.com

HS-203 Half Surface

STANDARD FEATURES

Material

Heavy-duty 14 Gauge 1012 carbon steel

Finishes

Gray Powder Coat Primer

Cycle Testing

Grade 1
ANSI/BHMA Standard A156.26

Mounting Hardware

No exposed mounting fasteners when closed
Universal screw pack

Capacity

Supports weights up to 600lbs.
4'0" maximum door width

Sizes

6'8", 7'0", 7'2", 8'0", 10'0"

Decorative Fastener Covers

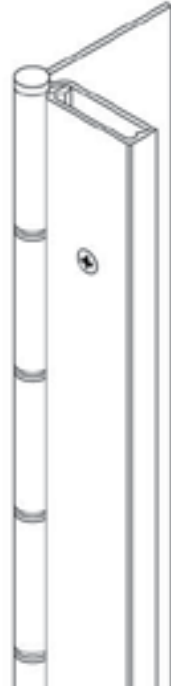
Aluminum

Hole Pattern

Symmetrically templated
Non-handed

Barrel Type Hinge

1/4" diameter stainless steel pin
Long-life split nylon bearings



OPTIONAL FEATURES

Finishes

Scratch-Resistant Powder Coated Paint
Bright Dipped Fastener Covers

Other Features

Custom lengths - specify in inches
Custom hole pattern
Dutch door hinges - suffix hinge "DD"
Hospital tips - suffix hinge "HT"
Raised barrel
Special sheared leaf
Lead-lined cover with 1/16" lead-lining - suffix hinge "LL"
Medical Bearings - suffix hinge "MB"

Fasteners

Tamper-proof security screws
1 3/4" aluminum sleeve bolts

Electrical Modifications

Current Transfer Prep (frame leaf only) - suffix hinge "CTP"

Fire Rating

3 hours- hollow metal doors mounted singly
90 minutes- hollow metal and composite core wood fire doors
20 minutes- wood doors

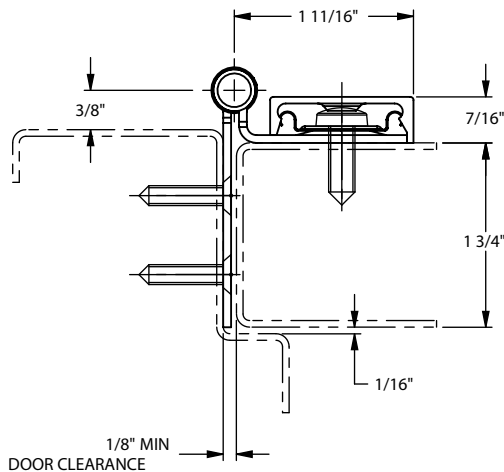


Classified in accordance with UBC code standard 7-2 for positive pressure

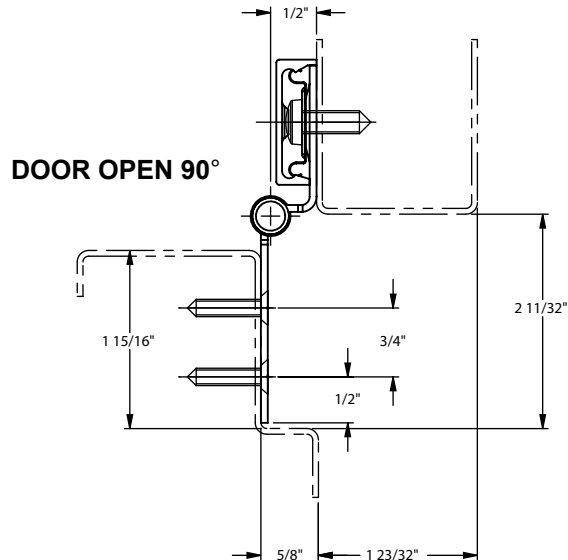


fire-rated label

This half-surface pin & barrel type continuous hinge can be used to repair both fire labeled and non-labeled openings. The hinge fits into the gap left after standard butt hinges are removed. It can assist in reversing the handing of a door, or to reverse the swing of a door hung in an evenly-rabbetted frame. (Please call Markar Architectural Products, Inc. for instructions for unevenly-rabbetted frames.)



DOOR CLOSED



DOOR OPEN 90°