



ASSA ABLOY

Markar Architectural Products, Inc. a subsidiary of Adams Rite Manufacturing Co.
260 Santa Fe Street, Pomona, CA 91767 • 800-872-3267 • 909-632-2300 • 800-232-6752 fax • www.markar.com

FM-200 Edge Mount

STANDARD FEATURES

Material

Heavy-duty 14 Gauge 1012 carbon steel

Finishes

Gray Powder Coat Primer

Cycle Testing

Grade 1

ANSI/BHMA Standard A156.26

Mounting Hardware

No exposed mounting fasteners when closed

Universal screw pack

Capacity

Supports weights up to 600lbs.

4'0" maximum door width

Sizes

6'8", 7'0", 7'2", 8'0", 10'0"

Hole Pattern

Symmetrically templated

Non-handed

Barrel Type Hinge

1/4" diameter stainless steel pin

Long-life split nylon bearings



OPTIONAL FEATURES

Finishes

Scratch-Resistant Powder Coated Paint

Other Features

Custom lengths - specify in inches

Custom hole pattern

Dutch door hinges - suffix hinge "DD"

Hospital tips - suffix hinge "HT"

Raised barrel

Special sheared leaf

Medical Bearings - suffix hinge "MB"

Fasteners

Tamper-proof security screws

Electrical Modifications

Current Transfer Prep - suffix hinge "CTP"

Exposed switch with adjusting screw - suffix hinge "ES"

Concealed current transfer - suffix hinge

"CE-4D"

Concealed current transfer - suffix hinge

"CE-8D"

ElectroLynx™

EL-8 (8 wire), EL-12 (12 wire)

Fire Rating

3 hours- hollow metal doors mounted singly

90 minutes- hollow metal and composite core wood fire doors

20 minutes- wood doors

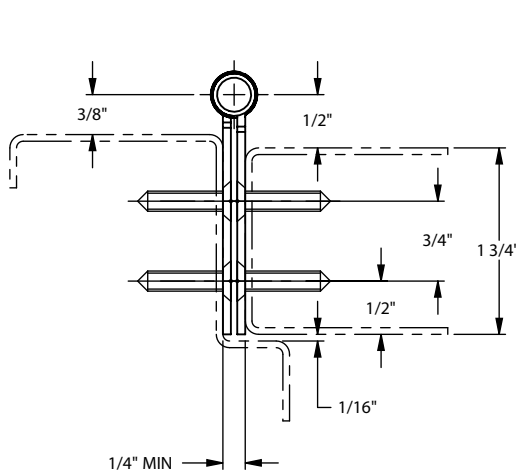


Classified in accordance with UBC code standard 7-2 for positive pressure

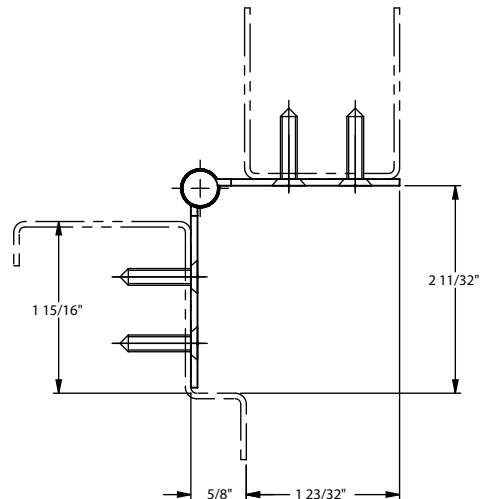


fire-rated label

This edge-mounted pin & barrel type hinge is used on many of today's high traffic, high abuse interior doors. The hinge works well in locations that used anchor hinges, pivot reinforced hinges, or thrust pivot unit and hinge sets. This hinge saves on special door and frame preparation charges and makes the installer's job easier. It can be used on both fire labeled and non-labeled openings.



DOOR CLOSED



DOOR OPEN 90°