

1100 Series Pin & Barrel Type Continuous Aluminum Hinges

Continuous hinges shall be full height piano-type hinge providing full height door support.

- Supports weights up to 300 lbs. 3'0" maximum width
- Material to be extruded aluminum 6063-T6 alloy
- .1875 diameter stainless pin must be Teflon coated
- Each knuckle 2", including split nylon bearing at each separation for a quiet, smooth, self-lubricating operation
- Finish: Clear Anodized (628), Dark Bronze Anodized (313) Optional Finish: Black Anodized (315), Light Bronze Anodized (311), Scratch-Resistant Powder Coated Paint. Other finishes available upon request.
- Hinge pin cap
- Non-handed
- All hinges shall be furnished with manufacturer's recommended hardware pack per specific model application
- Exterior barrel diameter .375 (3/8 inch)
- Hinges shall meet ANSI/BHMA Standard A156.26 Grade 3
- Symmetrically templated hole pattern

Note: 10-Year Warranty on all Continuous Hinges



ASSA ABLOY

FM-1100 Edge Mount – Self-Aligning

Markar Architectural Products, Inc. a subsidiary of Adams Rite Manufacturing Co.
260 Santa Fe Street, Pomona, CA 91767 • 800-872-3267 • 909-632-2300 • 800-232-6752 fax • www.markar.com

STANDARD FEATURES

Material
6063-T6 aluminum

Finishes
Clear Anodized (628)
Dark Bronze Anodized (313)

Cycle Testing
Grade 3
ANSI/BHMA A156.26

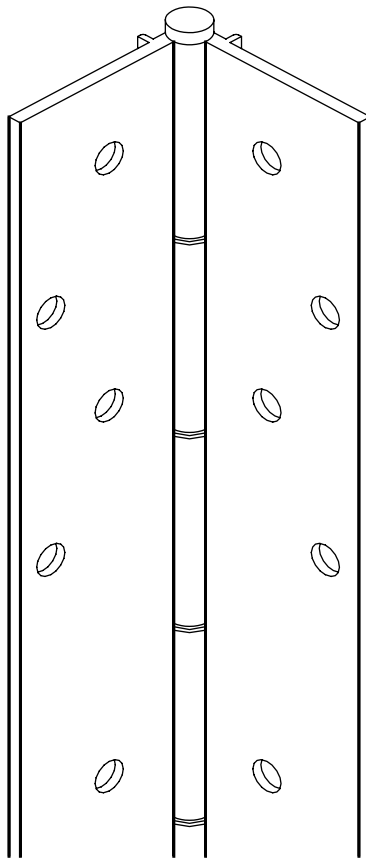
Mounting Hardware
No exposed mounting fasteners when closed
Universal screw pack

Capacity
Supports weights up to 300lbs.

Sizes
6'8", 7'0", 7'2", 8'0"
3'-0" maximum door width

Hole Pattern
Symmetrically templated
Non-handed

Barrel Type Hinge
3/16" diameter stainless steel pin
Long-life split nylon bearings



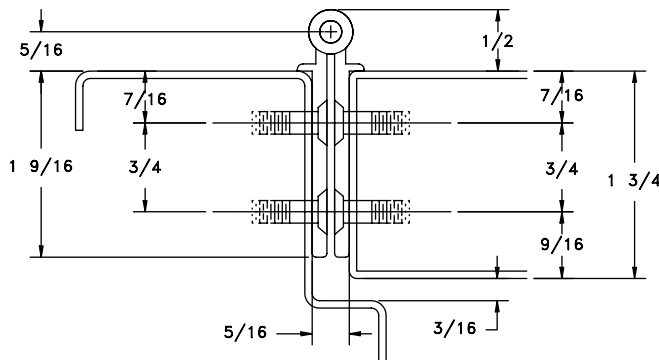
OPTIONAL FEATURES

Finishes
Black Anodized (315)
Light Bronze Anodized (311)
Scratch-Resistant Powder Coated Paint

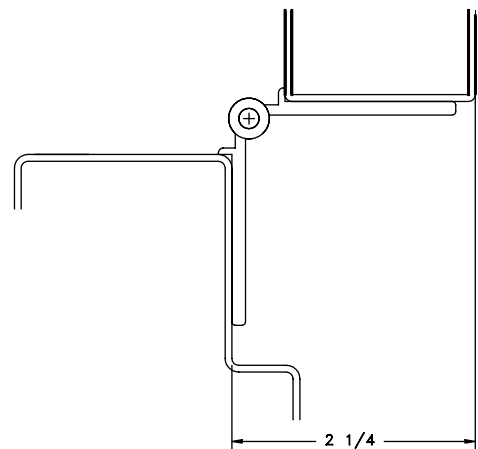
Other Features
Custom lengths - specify in inches
Custom hole pattern
Dutch door hinges - suffix hinge "DD"
Hospital tips - suffix hinge "HT"

Fasteners
Tamper-proof security screws

Use this edge mounted aluminum pin and barrel hinge on any of today's store front entry systems and aluminum curtain-wall projects. This hinge can be used anywhere that would have required reinforcing pivots in the past.



DOOR CLOSED



DOOR OPEN 90°



ASSA ABLOY

FM-111 Edge Mount – Self Aligning

Markar Architectural Products, Inc. a subsidiary of Adams Rite Manufacturing Co.
260 Santa Fe Street, Pomona, CA 91767 • 800-872-3267 • 909-632-2300 • 800-232-6752 fax • www.markar.com

STANDARD FEATURES

Material

6063-T6 aluminum

Finishes

Clear Anodized (628)
Dark Bronze Anodized (313)

Cycle Testing

Grade 3
ANSI/BHMA A156.26

Mounting Hardware

No exposed mounting fasteners when closed
Universal screw pack

Capacity

Supports weights up to 300lbs.

Sizes

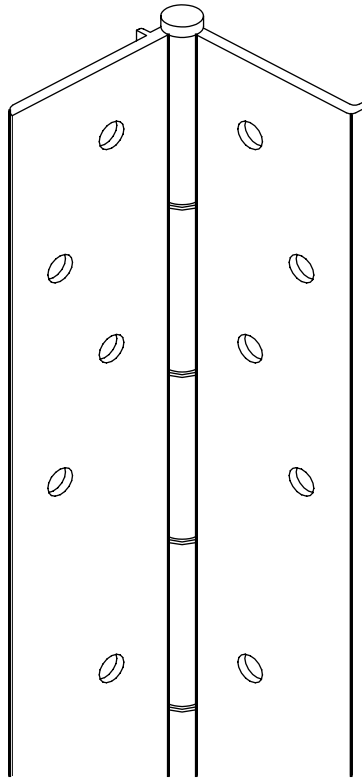
6'8", 7'0", 7'2", 8'0"
3'-0" maximum door width

Hole Pattern

Symmetrically templated
Non-handed

Barrel Type Hinge

3/16" diameter stainless steel pin
Long-life split nylon bearings



OPTIONAL FEATURES

Finishes

Black Anodized (315)
Light Bronze Anodized (311)
Scratch-Resistant Powder Coated Paint

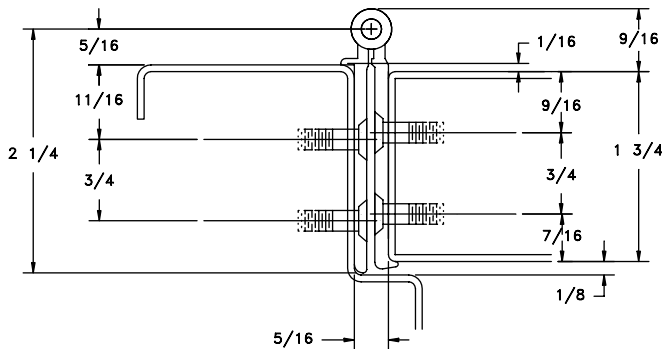
Other Features

Custom lengths - specify in inches
Custom hole pattern
Dutch door hinges - suffix hinge "DD"
Hospital tips - suffix hinge "HT"

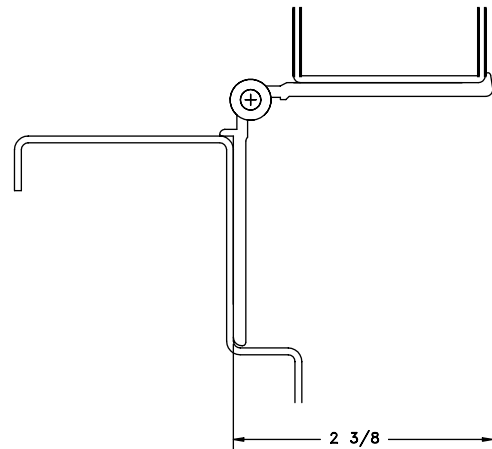
Fasteners

Tamper-proof security screws

Use this edge mounted aluminum pin and barrel hinge on any of today's store front entry systems and aluminum curtain-wall projects. This hinge can be used anywhere that would have required reinforcing pivots in the past.



DOOR CLOSED



DOOR OPEN 90°