



**ASSA ABLOY**

# FS-102 Full Surface Flush Mount

Markar Architectural Products, Inc. a subsidiary of Adams Rite Manufacturing Co.  
260 Santa Fe Street, Pomona, CA 91767 • 800-872-3267 • 909-632-2300 • 800-232-6752 fax • www.markar.com

## STANDARD FEATURES

### Material

6063-T6 aluminum

### Finishes

Satin Anodized (628)  
Dark Bronze Anodized (313)

### Cycle Testing

Grade 2  
ANSI/BHMA Standard A156.26

### Mounting Hardware

No exposed mounting fasteners when closed  
Universal screw pack

### Capacity

Supports weights up to 600lbs.  
4'0" maximum door width

### Sizes

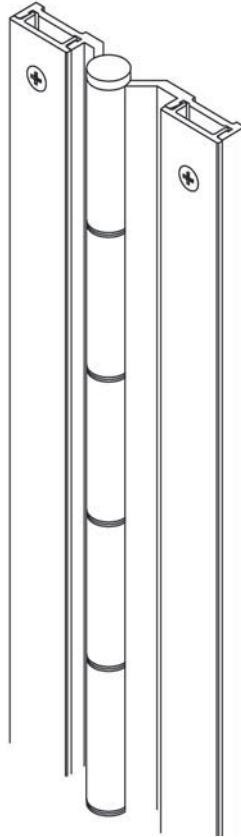
6'8", 7'0", 7'2", 8'0"

### Locking Security Covers

Brushed aluminum finish

### Barrel Type Hinge

1/4" diameter Teflon-coated stainless steel pin  
Long-life split nylon bearings



## OPTIONAL FEATURES

### Finishes

Light Bronze Anodized (311)  
Black Anodized (315)  
Scratch-Resistant Powder Coated Paint  
Satin Anodized

### Other Features

Custom lengths - specify in inches  
1 3/4" aluminum sleeve bolts  
Dutch door hinges - suffix hinge "DD"  
Hospital tips - suffix hinge "HT"  
Lead lined cover with 1/16" lead lining - suffix hinge "LL"

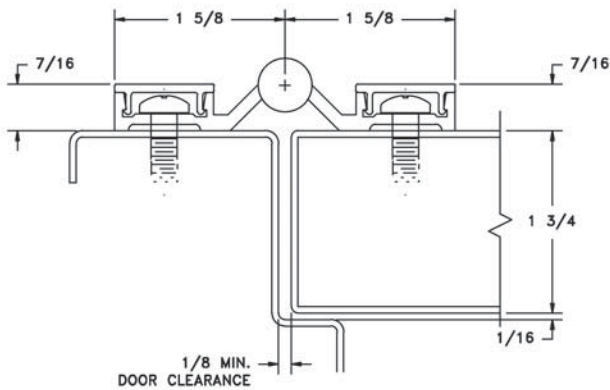
### Electrical Modifications

Current transfer - 4 or 8 28 gauge wires - suffix hinge "CE4" or "CE8"

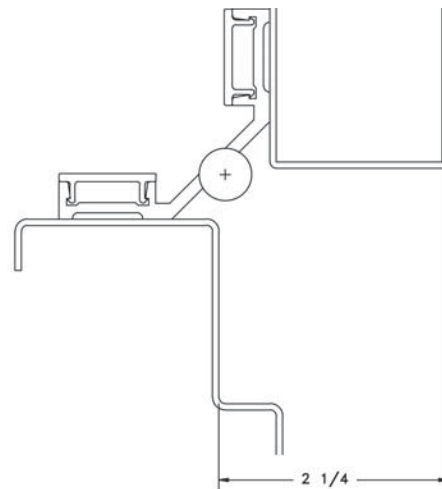
### ElectroLYNX™

EL-8 (8 wire), EL-12 (12 wire)

For flush-mounted doors. This surface-mounted pin & barrel type continuous hinge is the right choice for solving your door sag problems. This unit works well on all types of aluminum, wood and hollow metal door applications. The hinge also features tamper-resistant cover caps to prevent vandalism or break-ins.



**DOOR CLOSED**



**DOOR OPEN 90°**