

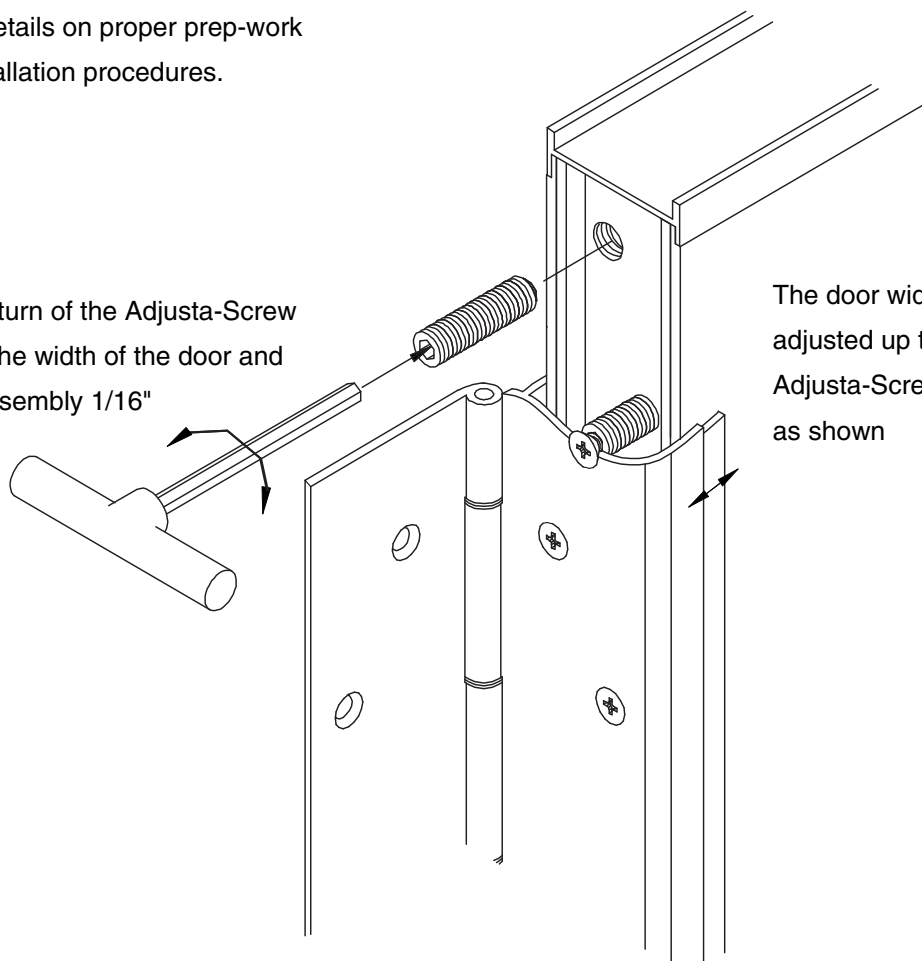
## Markar's Adjusta-Screw Assembly

**NOTE:** You must pre-drill your door using a 5/16" bit for each fastener.

[www.markar.com](http://www.markar.com)

Please see instruction sheets for full details on proper prep-work and installation procedures.

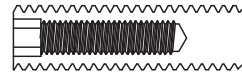
One full turn of the Adjusta-Screw adjusts the width of the door and hinge assembly 1/16"



The door width can be adjusted up to 3/8" with the Adjusta-Screw assembly as shown



MP-7 10-32 x 3/4"  
Phillips flat head  
undercut stainless steel  
machine screw



MP-25 1 3/8"  
Adjusta-Stud fastener  
with 10-32 internal thread  
and hex head adjustment



**ASSA ABLOY**